

## 英国 BRAUER 安全联锁夹钳

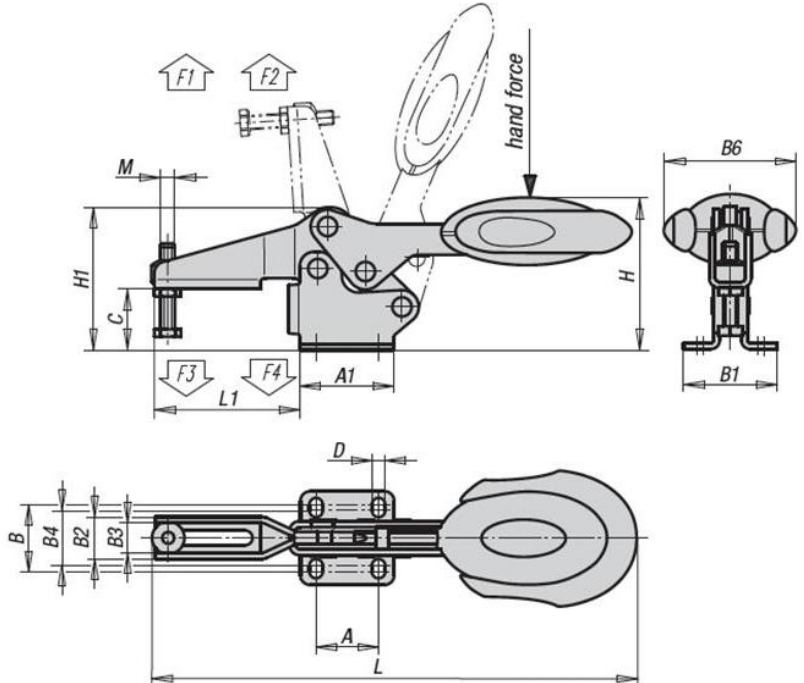
### Safety Interlock Clamps

BRAUER 安全联锁夹钳结构种类及型号:

1. 水平安全联锁	H150/1BKL, 250/1BKL, 350/1BKL, 450/1BKL, H150/2BKL, 250/2BKL, 350/2BKL, 450/2BKL
2. 垂直安全联锁	V150/1BKL, V250/1BKL, V350/1BKL, V450/1BKL V150/2BKL, V250/2BKL, V350/2BKL, V450/2BKL

1. 水平联锁夹钳结构及尺寸参数如下:

型号	M	A	A1	B	B1	B2	B3	B4	B6	C	D	H	H1	L	L1
H150/1BKL	M6x35	26	39	14.1	9.1	17.5	12.4	-	53.4	37	5.5	74.2	71	193.7	60.5
H250/1BKL	M8x45	26	44	14.1	9.1	21	15.7	-	51.1	46.5	6.2	88.2	84.4	230.3	74.9
H350/1BKL	M10x55	41.5	59	16.2	9.2	26	18.7	-	56.5	59.6	8.8	114.4	107.5	286.4	103.9
H450/1BKL	M12x70	44	65	16.2	9.2	28	20.9	-	56.5	75.9	8.5	128.4	125.2	321.3	122
H150/2BKL	M6x35	26	39	28	39	17.5	12.4	23	53.4	25.5	5.5	63.2	59.5	193.3	60.5
H250/2BKL	M8x45	26	44	31	45	21	15.7	24	51.1	32.2	6.2	73.9	70	230.3	74.9
H350/2BKL	M10x55	41.5	59	43	59	26	18.7	39	56.5	40	8.8	94.8	87.9	286	103.9
H450/2BKL	M12x70	44	65	42	67	28	20.9	40	56.5	52.3	8.5	104.8	101.6	321.3	122



2.水平, 法兰座型夹钳具体尺寸及参数如下:

型号	M	A	A1	A2	B	B1	B2	B3	B6	C	D	H	L	L1
V150/1BKL	M6X35	14	29	7	10.2	5.2	17.5	12.4	53.4	37.6	5.5	175.7	86.5	53
V250/1BKL	M8X45	21	39	9	10.2	5.2	20.6	15.5	41.1	49	6.8	207.6	107	62
V350/1BKL	M10X55	32	50	8	14.1	7.1	25.5	18.4	56.5	62.3	9	254	153	95
V450/1BKL	M12X70	32	53	10.5	14.1	7.1	28	20.9	56.5	69.8	8.8	271.9	173.5	113.5
V150/2BKL	M6X35	14	29	7	27	38	17.5	12.4	53.4	24.7	5.5	162.9	86.5	53
V250/2BKL	M8X45	21	39	9	32	45	20.6	15.5	51.1	32.7	6.8	191.4	107	62
V350/2BKL	M10X55	32	50	8	45	64	25.5	18.4	56.5	38.7	9	230.5	153	95
V450/2BKL	M12X70	32	53	10.5	45	63	28	20.9	56.5	46.7	8.8	249.1	173.5	113.5

